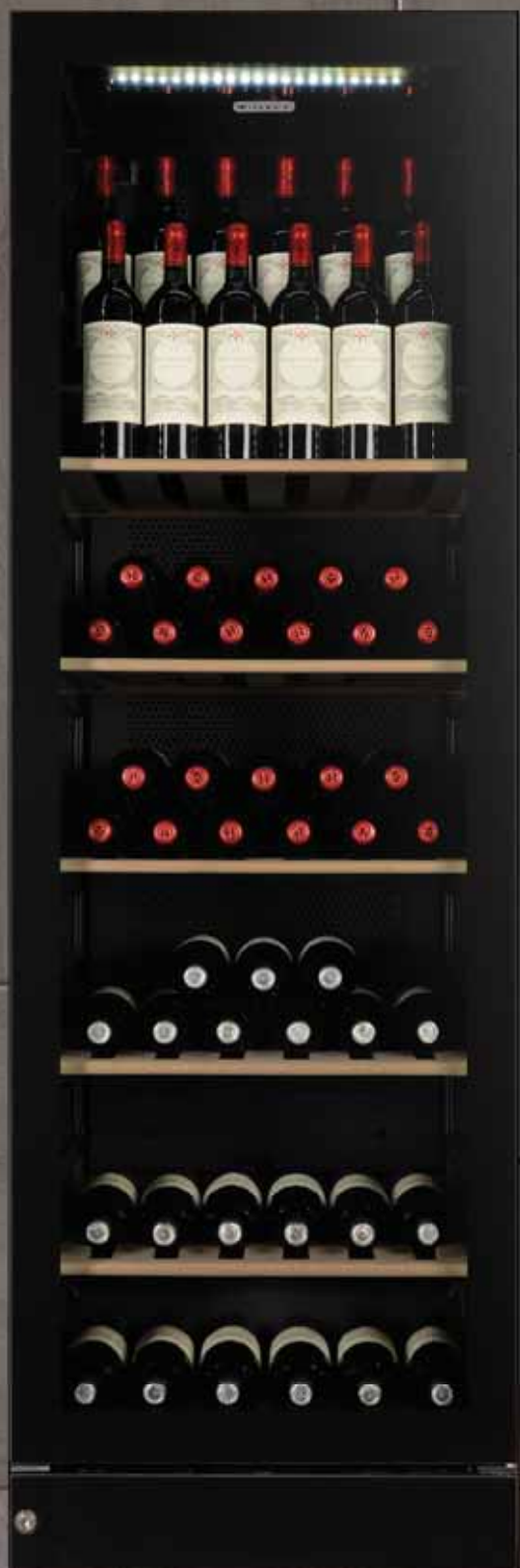


# VINTEC



Catalogue v.4

# The Vintec story

Vintec is recognised across Australia and the Asia-Pacific region as the benchmark for wine preservation solutions.

We offer precision tools for cellaring and serving that are coveted by enthusiastic collectors, sophisticated entertainers and industry professionals alike.

We are deeply passionate about wine, and believe that correct temperature control can unlock a whole new level of enjoyment and satisfaction for your wine experience.



## Heritage

The Vintec brand was created in 2000 by two entrepreneurial Frenchmen who shared a common love for wine. They leveraged their previous experience with the Transtherm luxury wine cabinets brand to collaborate with Danish designers and manufacturers to introduce a range of stylish, functional and accessible wine preservation systems.



## Products

Vintec has the widest range of wine cellaring and serving solutions to meet all requirements and capacities from 20 to 4000 bottles: if Vintec can't meet your needs, no other brand can.



## Knowledge

We offer wine expertise without the ego, to guide you along your wine journey and provide you with knowledge and confidence to appreciate your wine at its best.



## Humidity

High humidity will cause mould whereas low humidity will cause corks to dry out. Vintec wine cellars are equipped with a system that recycles water from condensation, ensuring ideal humidity conditions for your wine.



## UV Protection

Light and UV rays rapidly destroy your wines by oxidising wine tannins. Vintec wine cellars safeguard your fine wines from harmful light and UV rays with anti-UV treated glass doors.

## Vibration Free

Slow, balanced-cycle compressors and wooden shelves are equipped in the Vintec wine cellars, to reduce vibration to the minimum.



## Temperature

All wines mature at the same temperature, which is a constant temperature set between 10°C to 14°C. Vintec presents a wide range of wine cellars offering single, dual and multi-temperature models to meet your cellaring needs.



## Collector's Choice

The quality of the materials, the innovative technology and the contemporary design make Vintec wine cellars the ideal solution for safeguarding your precious wine collection.



## Natural Ventilation

In order to prevent mould growth, which would generate bad odour and risk deteriorating the corks. Vintec provides natural permanent ventilation, introducing renewed air from the ambience into the cellar through an "air circulation" effect.

*"I am totally delighted with my Vintec wine cabinet. It combines elegance and functionality of the highest order."*

*James Halliday - Leading Australian Wine Critic*





## V190SG2EBK

New Code : VWM155SBA-X

Wine Storage Cabinets (Free Standing/Slot-in)

### Features

- Humidity controlled
- Single/multi temperature
- Borderless black glass door
- Cabinet body colour Black
- 6 adjustable wooden shelves
- Electronic temperature control and display
- 2 adjustable feet - front
- 2 castors - rear
- Capacity : 155 Bordeaux bottles
- Packed weight : 93kgs
- Temperatures : 5°C - 22°C
- Electricity consumption : 0.63kWh/per day
- Noise level : 42dB
- Power : 240V 50Hz / 60Hz
- Dimensions (HxWxD)  
1850mm x 595mm x 600mm



Single/ Multi Temperature Zone for aging or serving purpose



Reversible Door Hinge\*



Monitor Alarm



Easily Adjustable Wooden Shelves



Child Lock



Double Layer Glass Door



Charcoal Filter

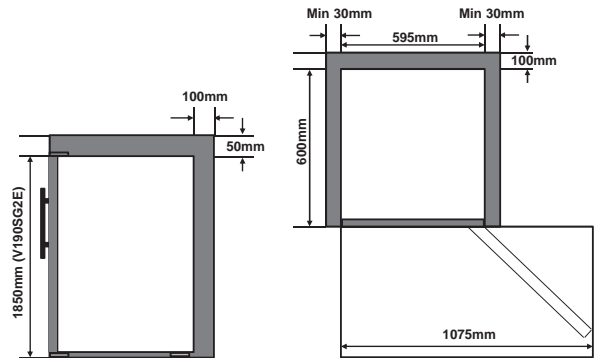


ECO Technology



Crystal White LED Light

Retail Price **RM 15,175.00**



## V40SG2EBK

New Code : VWD050SBA-X

Wine Storage Cabinets (Free Standing/Slot-in)

### Features

- 2 temperature serving cabinet
- Borderless black glass door
- Cabinet body colour Black
- 4 full wooden shelves
- Electronic temperature control and display
- Adjustable feet
- Capacity : 40 Bordeaux bottles
- Packed weight : 52 kgs
- Temperatures:  
upper - 6°C - 12°C  
lower - 12°C - 18°C
- Electricity consumption : 1.09kWh/per day
- Noise level : 36-37dB
- Power : 240V 50Hz / 60Hz
- Dimensions (HxWxD)  
820mm x 595mm x 573mm



Dual Temperature Zone for aging or serving purpose



Reversible Door Hinge\*



Double Layer Glass Door



Easily Adjustable Wooden Shelves



Child Lock

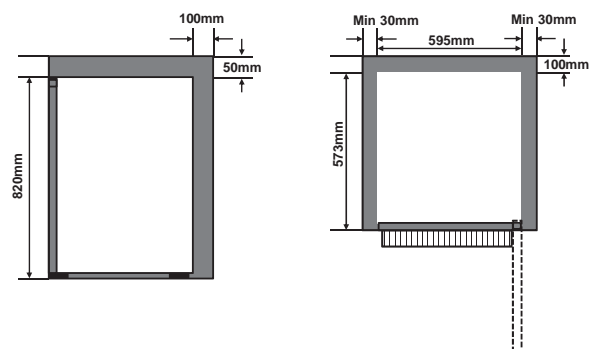


ECO Technology



Crystal White LED Light


Retail Price **RM 7,155.00**



# V30SGMEBK

New Code : VWS035SBA-X

## Wine Storage Cabinets (Free Standing Only)

 This unit is strictly FREE-STANDING only.  
Kindly adhere to prevent WARRANTY VOID.



### Features

- Humidity controlled
- Single temperature
- Black frame glass door
- Cabinet body colour Black
- 4 wooden shelves
- Small LED digital readout and light
- Electronic temperature control and display
- Double layer glass door
- Adjustable feet
- Reversible door hinge
- Capacity : 28 / 35 (750ml Bordeaux bottles)
- Packed weight : 44 kgs
- Temperatures : 6° - 18°
- Electricity consumption : 1kWh/per day
- Power : 240V 50Hz / 60Hz
- Noise level : 36-37dB
- Dimensions (HxWxD)
- 830mm x 493mm x 590mm



Single Temperature zone for aging purpose

SINGLE °C



Double Layer Glass Door



Reversible Door Hinge\*



Easily Adjustable Wooden Shelves



ECO Technology


Retail Price **RM 3,850.00**



# AL-V190SG2E

New Code : VWM155SAA-X

## Wine Storage Cabinets (Free Standing/Slot-in)

 For slot-in model, warranty void if not followed the recommended dimensions.

### Features

- Humidity controlled
- Single/multi temperature
- Brushed aluminium frame glass door
- Cabinet body colour black
- 6 adjustable wooden shelves
- Electronic temperature control and display
- 2 adjustable feet (front), 2 castors (rear)
- Brushed aluminium rod door handle
- Capacity : 155 Bordeaux bottles
- Packed weight : 93 kgs
- Temperature : 5°C - 22°C
- Electricity consumption : 0.63kWh/per day
- Noise level : 42dB
- Power : 240V 50Hz
- Dimensions (HxWxD)
- 1850mm x 595mm x 595mm



Single/ Multi Temperature Zone for aging or serving purpose

ONE/MULTI



Easily Adjustable Wooden Shelves



Charcoal Filter



Reversible Door Hinge\*



Child Lock



ECO Technology



Monitor Alarm

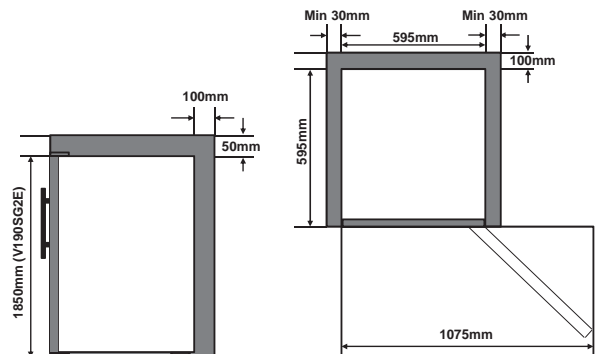


Double Layer Glass Door



Crystal White LED Light

Retail Price **RM 14,620.00**





## AL-V150SG2E

New Code : VWM122SAA-X

Wine Storage Cabinets (Free Standing/Slot-in)

**⚠** For slot-in model, warranty void if not followed the recommended dimensions.

### Features

- Humidity controlled
- Single/multi temperature
- Brushed aluminium frame glass door
- Cabinet body colour black
- 5 adjustable wooden shelves
- Electronic temperature control and display
- 2 adjustable feet (front), 2 castors (rear)
- Brushed aluminium rod door handle
- Capacity : 120 Bordeaux bottles
- Packed weight : 81 kgs
- Temperature : 5°C - 22°C
- Electricity consumption : 0.62kWh/per day
- Noise level : 36dB
- Power : 240V 50Hz
- Dimensions (HxWxD) 1550mm x 595mm x 595mm



Single/ Multi Temperature Zone for aging or serving purpose



Reversible Door Hinge\*



Monitor Alarm



Easily Adjustable Wooden Shelves



Child Lock



Double Layer Glass Door



Charcoal Filter

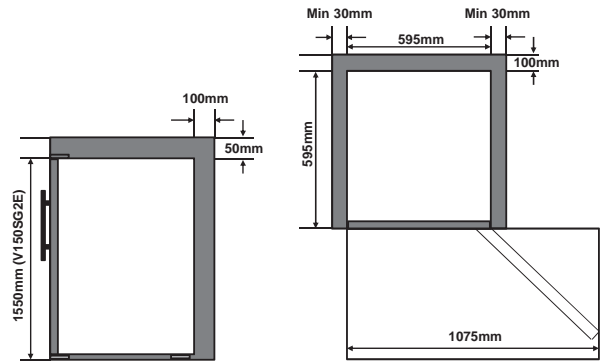


ECO Technology



Crystal White LED Light

Retail Price **RM 12,810.00**



## AL-V40SGE

New Code : VWS050SAA-X

Wine Storage Cabinets (Free Standing/Slot-in)

**⚠** For slot-in model, warranty void if not followed the recommended dimensions.

### Features

- Single Temperature
- Brushed aluminium frame glass door
- Cabinet body color black
- 5 adjustable wooden shelves
- Electronic temperature control and display
- Adjustable feet
- Recessed door handle
- Capacity : 40 Bordeaux bottles
- Packed weight : 45kgs
- Temperatures : 5°C - 18°C
- Electricity consumption : 1.09kWh/per day
- Noise level : 36-37dB
- Power : 240V 50Hz / 60Hz
- Dimensions (HxWxD) 820mm x 595mm x 571mm



Single Temperature zone for aging purpose



Reversible Door Hinge\*



Double Layer Glass Door



Easily Adjustable Wooden Shelves

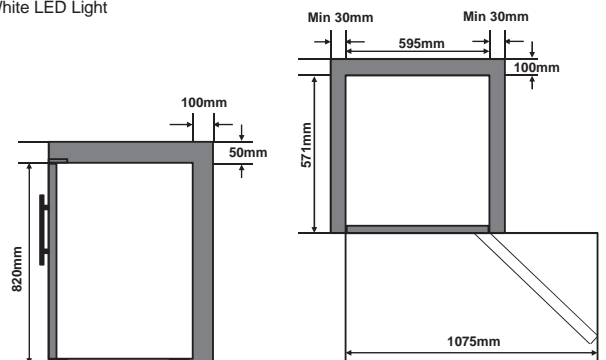


White LED Light



ECO Technology

Retail Price **RM 5,788.00**





## V155SG2ES3

New Code : VWD154SSA-X

Wine Storage Cabinets (Free Standing Only)

**⚠** This unit is strictly FREE-STANDING only.  
Kindly adhere to prevent WARRANTY VOID.

### Features

- Dual temperature
- Sliding Wooden Shelves
- Blue LED light
- Stainless Steel Door Frame
- Double layer glass door
- Equipped with Lock (Hexagonal Key)
- Temperature Setting : Electronic
- LED Display : Yes
- Reversible Door Hinges\* : Yes
- Capacity : 138 Bordeaux bottles
- Packed weight : 114 kgs
- Temperature:
  - Upper Compartment: 5°C - 18°C;
  - Lower Compartment: 5°C -1 8°C
- 14 adjustable wooden shelves
- Dimension (H x W x D) mm  
1762mm x 595mm x 680mm



Single Temperature zone for aging purpose



Easily Adjustable Wooden Shelves



ECO Technology



Reversible Door Hinge\*



Child Lock



Double Layer Glass Door



Blue LED Light

Retail Price **RM 13,075.00**



## V110SGES3

New Code : VWS121SAA-X

Wine Storage Cabinets (Free Standing/Slot-in)

**⚠** For slot-in model, warranty void if not followed the recommended dimensions.

### Features

- Humidity controlled
- Single temperature
- Seamless Stainless steel frame glass door
- Cabinet body colour Black
- 11 sliding wooden shelves with stainless steel front
- Electronic temperature control and display
- Adjustable feet
- Capacity : 121 Bordeaux bottles
- Packed weight : 113 kgs
- Temperatures : 6°C - 18°C
- Electricity consumption : 1.51kWh/per day
- Noise level : 39-40dB
- Power : 240V 50Hz / 60Hz
- Dimensions (HxWxD)  
1390mm x 595mmx 680mm



Single Temperature zone for aging purpose



Easily Adjustable Wooden Shelves



ECO Technology



Reversible Door Hinge\*



Child Lock

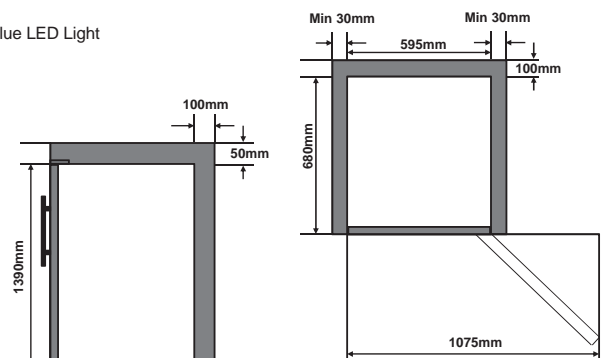


Double Layer Glass Door



Blue LED Light


Retail Price **RM 10,250.00**



# V40SGES3

New Code : VWS050SSA-X

## Wine Storage Cabinets (Free Standing/Slot-in)

 For slot-in model, warranty void if not followed the recommended dimensions.



### Features

- Humidity controlled
- Single temperature serving cabinet
- Seamless Stainless steel frame glass door
- Cabinet body colour Black
- 5 wooden shelves with stainless steel front
- Electronic temperature control and display
- Adjustable feet
- Capacity : 40 Bordeaux bottles
- Packed weight : 48 kgsC
- Temperatures : 6°C - 18°C
- Electricity consumption : 1.04kWh/per day
- Noise level : 36-37dB
- Power : 240V 50Hz / 60Hz
- Dimensions (HxWxD) 820mm x 595mm x 573mm



Single Temperature



Easily Adjustable Wooden Shelves



ECO Technology



Reversible Door Hinge\*



Child Lock

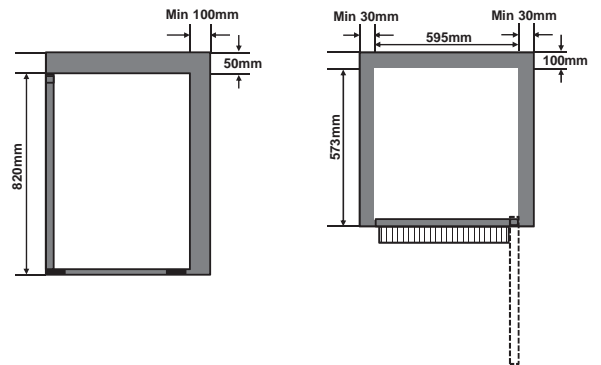


Double Layer Glass Door



Blue LED Light


Retail Price **RM 5,935.00**



# V155SGE

New Code : VWS165SCA-X

## Wine Storage Cabinets (Free Standing Only)

 This unit is strictly FREE-STANDING only. Kindly adhere to prevent WARRANTY VOID.

### Features

- Humidity controlled
- Single temperature
- Black glass door
- Cabinet body colour black
- 15 sliding wooden shelves
- Electronic temperature control and display
- 2 adjustable feet (front), 2 castors (rear)
- Brushed aluminium rod door handle
- Capacity : 166 Bordeaux bottles
- Packed weight : 113 kgs
- Temperature : 6°C - 18°C
- Electricity consumption : 1.51kWh/per day
- Noise level : 39-40dB
- Power : 240V 50Hz
- Dimensions (HxWxD) 1765mm x 595mm x 679mm



Single Temperature zone for aging purpose



Easily Adjustable Wooden Shelves



ECO Technology



Double Layer Glass Door



Child Lock



Blue LED Light

Retail Price **RM 9,900.00**





## V110SGE

New Code : VWS121SCA-X

Wine Storage Cabinets (Free Standing/Slot-in)

**⚠** For slot-in model, warranty void if not followed the recommended dimensions.

### Features

- Humidity controlled
- Single Temperature
- Black glass door
- Cabinet body colour black
- 11 sliding wooden shelves
- Crystal White LED Light
- Double Layer Glass Door
- Equipped with Lock (Hexagonal Key)
- Temperature Setting : Electronic
- LED Display : Yes
- Reversible Door Hinges\*: Yes
- Capacity : 108 Bordeaux bottles
- Packed weight : 93 kgs
- Temperature : 6°C - 18°C
- Dimension (H x W x D) 1389mm x 595mm x 680mm



Single Temperature zone for aging purpose



Reversible Door Hinge\*



Double Layer Glass Door



Easily Adjustable Wooden Shelves



Child Lock

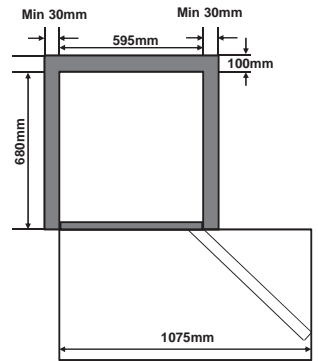
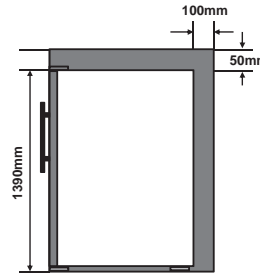


White LED light



ECO Technology

Retail Price **RM 9,500.00**



## V30SGE

New Code : VWS035SCA-X

Wine Storage Cabinets (Free Standing Only)

**⚠** This unit is strictly FREE-STANDING only. Kindly adhere to prevent WARRANTY VOID.

### Features

- Humidity controlled
- Single temperature
- Black glass door
- Cabinet body colour black
- 4 wooden shelves
- Electronic temperature control and display
- 2 adjustable feet (front), 2 castors (rear)
- Capacity : 30-35 Bordeaux bottles
- Packed weight : 38 kgs
- Temperature : 5°C - 18°C
- Electricity consumption : 1.51kWh/per day
- Noise level : 39-40dB
- Power : 240V 50Hz
- Dimensions (HxWxD) 840mm x 493mm x 588mm



Single Temperature zone for aging purpose



Double Layer Glass Door



Easily Adjustable Wooden Shelves



Child Lock



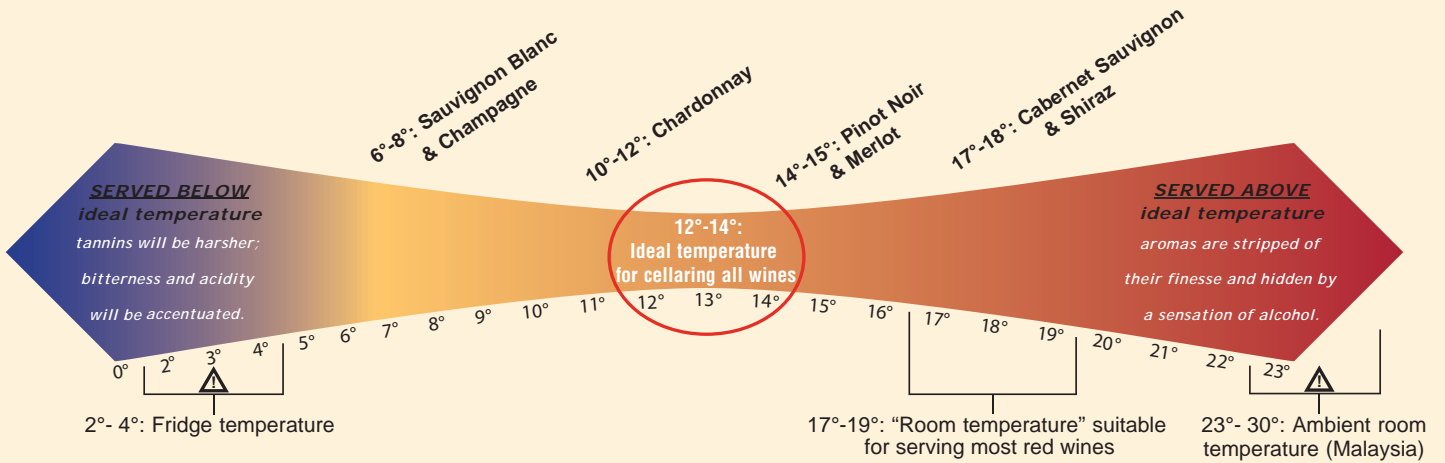
ECO Technology



Blue LED Light

Retail Price **RM 3,200.00**

# Guide to Perfect Serving Temperatures

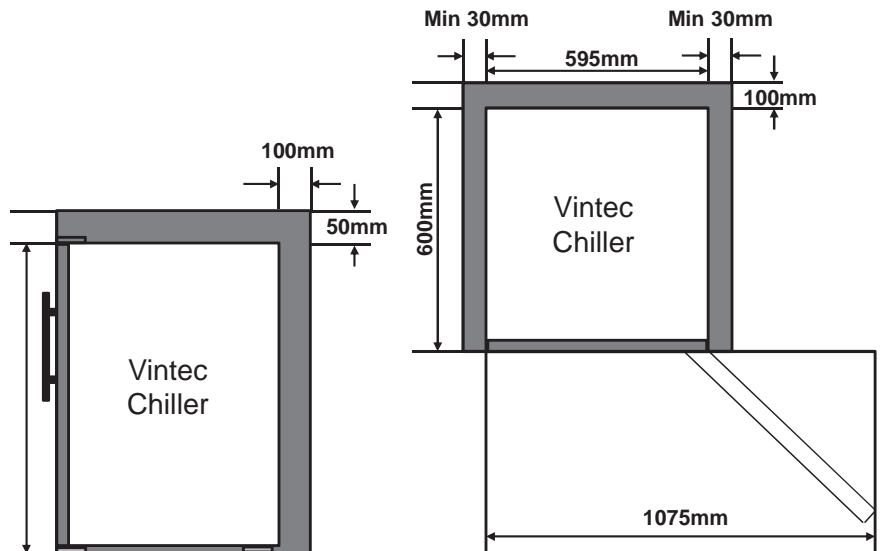


Although all wines-reds, whites & Champagnes - should be becellared at the same temperature, different wines have different ideal serving temperatures. Cellar and serve your wines according to the chart below in order to always enjoy your wines at their best.

## Space Requirement

### For Slot-in Models

- Between top panel - 50mm
- From wall - 100mm
- From side wall - 30mm



### Important Notice

- Place unit away from windows and direct sunlight. Ensure unit placed in well ventilated area. Do not stack chiller with other appliances.
- For all **FREE-STANDING** placement - Ensure a minimum of **100mm space** at the back of the unit from wall.
- For **V30SGE, V30SGMEBK, V155SG2ES3 & V155SGE** are strictly **FREE-STANDING** only. Kindly adhere to prevent **WARRANTY VOID**.
- For all newly delivered **VINTEC** unit, please ensure a minimum of 6 hours rest time before power on.



# Why choose Vintec?

## Wine cellar are our specialty

In fact, that is all we do. Being intimately connected to the wine industry and focussed solely on wine cabinets for over two decades, we have developed the largest and most advanced range to suit all wine storage requirements.

## We care about your collection

Our highest priority is to offer the best and safest storage solution for your wine. For instance, all our cellars have dark interiors and dim UV-free lighting, instead of white interiors and bright lights. Why? Because it's important to keep your wine in a dark storage area.

## The Vintec guarantee

All Vintec wine cellars have been tested to ensure they function in Malaysia climate. Covered by a two year warranty, our cellars bear unique identification numbers that allow their origin and authenticity to be traced. They are also backed by dedicated phone support teams in Kuala Lumpur, Penang, Johor Bahru, as well as a national network of service specialists.



## KITCH

**Kitch (M) Sdn Bhd** (566346-V)

8, Jalan Industri PBP 5,  
Taman Perindustrian Pusat Bandar Puchong,  
47100 Puchong, Selangor Darul Ehsan, Malaysia.  
Tel : +603 5882 5533 Fax: +603 5882 6267

### Showroom

85, Jalan Klang Lama, Batu 3, 58000 Kuala Lumpur, Malaysia.  
Tel: +603 7982 8233 Fax: +603 7981 4102

11, Jalan Dato Abu Bakar, (Jalan 16/1),  
Section 16, 46350 Petaling Jaya  
Tel: +603 7954 2522 Fax : +603 7954 2521

### Penang

170, Jalan Kelawai, 10250 Penang, Malaysia.  
Tel: +604 226 3232 Fax: +604 226 3636

### Johor

28, Jalan Pertama 3,  
Pusat Perdagangan Danga Utama,  
81300 Johor Bahru, Johor, Malaysia  
Tel : +607 557 7988 Fax: +607 557 7488

[www.kitchshop.my](http://www.kitchshop.my)



Authorised Agent: